

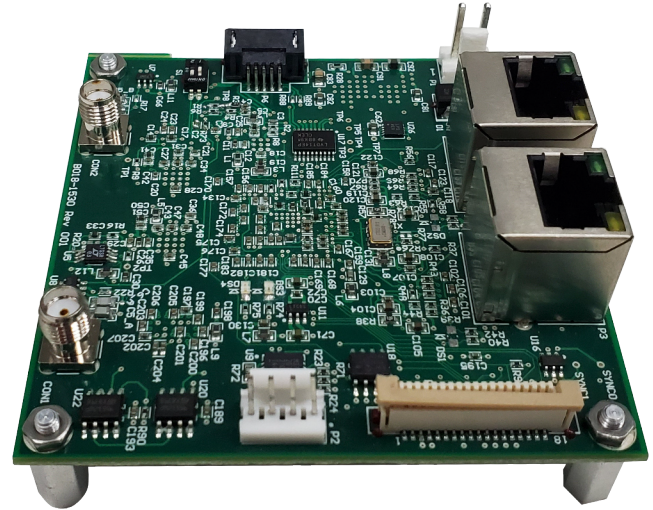
ECD310

Miniaturized digital eddy current driver available with 1 or 2 channels

Product Overview

Lion Precision's ECD310 is a miniaturized digital eddy current driver available with 1 or 2 channels. The driver is designed as an easily mountable board for installation in a control system. It has an EtherCAT digital output, as well as an SPI output. The channels are synchronized, preventing crosstalk between sensors.

The ECD310 digital driver works with all of Lion Precision's rugged eddy current probes. This enables ranges from as small as 0.25 mm to 15 mm. It has bandwidths from 100 Hz to 15 kHz that are adjustable via the digital interface.



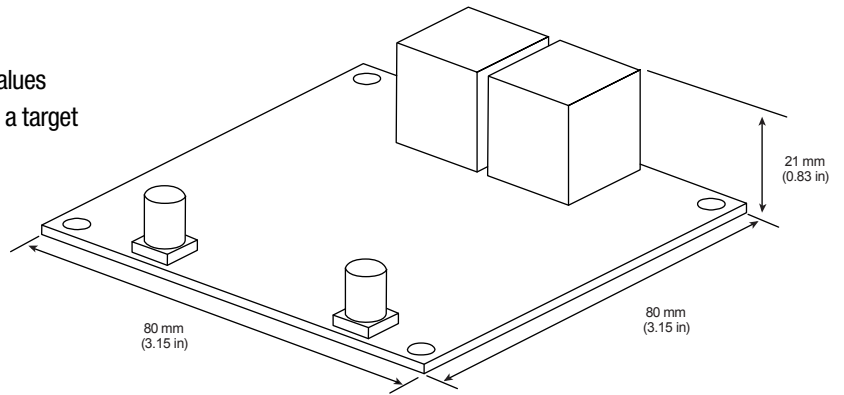
Key Benefits

- Works with all our eddy current probes
- Small size
- Embeddable
- User-Selectable Bandwidth 100 Hz, 1 kHz, 10 kHz, 15 kHz
- Probes can be ordered as vacuum compatible

Specifications

Typical specifications for standard targets and probes. Actual values depend on probe, target and calibration. Specifications assume a target area at least three times the diameter of the probe.

- Input power: 12-36 VDC, 3 W
- Linearity Error: $\pm 0.3\%$ F. S
- Error Band: $\pm 0.6\%$ F. S
- Operating Temperature: 4-50°C
- Probe Operating Environment: -25°C to +125°C
- Temperature Coefficient Driver: $\pm 0.04\%$ F.S. / °C
- Temperature Coefficient Probe: $\pm 0.04\%$ F.S. / °C



Ordering Information

Please contact Lion Precision for ordering information.

We can be reached via email at info@lionprecision.com, or via telephone at (651)-484-6544.