

ECD360

FPGA-based digital system for easy setup and high-performance

High Performance

- Nonlinearity: 0.2%
- Resolution, Typical: Nonferrous: 15 kHz - 0.007%; 100 Hz - 0.002%
- Bandwidth: 100 Hz, 1 kHz, 10 kHz, 15 kHz (user selectable);

Easy Operation

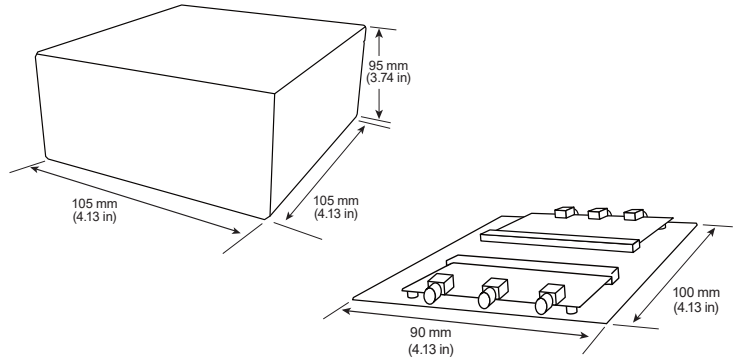
- Sync Multiple Units

Export Limitations

Because of high resolutions, export of the ECD360 to some countries require a 2B006.B.1.a. export license.

Specifications

- **Resolution:** RMS, Typical Dependent on probe and range.
 - ECD360:
 - Nonferrous: 15 kHz – 0.007% | 100 Hz – 0.002%
 - Ferrous: 15 kHz – 0.009% | 100 Hz – 0.003%
- **Bandwidth:**
 - ECD360: Selectable: 100 Hz | 1 kHz | 10 kHz | 15 kHz
- **Ranges:** 0.25 mm to 15.0 mm
- **Linearity:** 0.2% of Range
- **Error Band:** 0.4% of Range
- **Driver Temperature Drift:** (15C-50C): 0.01% F.S./C
- **Probe Temperature Drift:** (15C-65C, except where noted): 0.01% F.S./C
- **Input Power:** 15-24VDC | 4W
- **Output:** LVDS (SPI) and USB
- **Driver Operating Environment:** 4C – 50C | IP40
- **Probe Operating Environment:**
 - Standard Probes come with PUR (Polyurethane) jacketed cables. High-Temperature Probes have FEP jackets. Other temperature ranges may be possible. Contact us for more information. Standard Probes: IP67 | High-Temperature Probes: IP63
 - U3 Probe: Standard Probe (PUR Cable): -25C to +125C (Available with optional FEP cable) | High-Temperature Version Not Available
 - U5-18 Probes: Standard Probes: -25C to +125C | High-Temperature Probes: -25C to +200C
 - U25-50 Probes: Standard Probes: -25C to +125C | High-Temperature Probes: -25C to +175C



Ordering Information

Please contact Lion Precision for ordering information.

We can be reached via email at info@lionprecision.com, or via telephone at (651)-484-6544.



Carlisle Interconnect Technologies
7166 4th Street N. Oakdale, MN 55128
T: 651.484.6544 | F: 651.484.6824 | For Info: info@lionprecision.com | www.lionprecision.com