

LION

PRECISION



CPL590/CPL592/EN591 USER'S GUIDE

Capacitive Sensor Systems

TABLE OF CONTENTS

APPROVAL AND SAFETY CONSIDERATIONS	3
HELPFUL TECHNICAL SUPPORT DOCUMENTS ONLINE	3
Probe Tip Contact Caution	3
EN591 - CPL591/592 SUB-NANOMETER CAPACITIVE DISPLACEMENT SENSOR	4
BASIC OPERATION	4
INTERPRETING THE OUTPUT	4
FRONT PANEL CONTROLS, INDICATORS AND CONNECTORS	5
Zero Adjust	5
Range Button (CPL592 Only)	5
Calibrated Range Indicator	5
Analog Output - Single Ended	5
Probe Connector	5
OVERVIEW OF REAR PANEL CONTROLS AND CONNECTORS	6
Remote Power Supply & Differential Output	6
Analog Output Differential	6
USB	6
LVDS SPI	7
Bandwidth Settings	7
Ground	7
EN591 - CPL591/592 SPECIFICATIONS¹	8
EN591 Enclosure Drawings	9
POWER SPECIFICATIONS	10
EXTERNAL POWER SUPPLY	10
APPENDIX A	11
Demo Software Installation	11
Demo Software Basic	12
Main Data Display Screens	18
APPENDIX B	19
SPI - General	19
Electric Digital IO Characteristic	19
SPI Connector Pinout ⁶	20
SPI Interface Protocol	20
Timing Diagrams	21
Write Command 8 9	22
Read Command	22
Display Port Cable Reference Wiring	23

APPROVAL AND SAFETY CONSIDERATIONS

The EN591 is compliant with the following CE standards:

- Safety: IEC 61010-1:2010
- EMC: IEC 61326-1:2013, IEC 61326-2-3:2013, IEC 6100-3-2:2014, IEC 6100-3-3:2013 & EN 55011:2009 + A1:2010

To maintain compliance with these standards, the following operating conditions must be maintained:

- All I/O connecting cables must be shielded and less than three meters in length
- AC power cables must be rated at a minimum of 250 V and 5 A
- AC power must be connected to a grounded mains outlet rated less than 20A
- Use the included CE approved power supply with 1 slot enclosures. If an alternative power supply is used, it must have equivalent CE certification and provide safety isolation from the mains according to IEC 61010.
- Sensors must not be attached to parts operating at hazardous voltages in excess of 33VRMS or 70VDC

Use of the equipment in any other manner may impair its safety and EMI protections.

CAUTION Probe Tip Contact Caution

The sensing tips of capacitive probes produce voltages as high as 70 Vrms. These are high frequency voltages with very low power, so they pose no danger. Normally when the probe tip is touched, the probe stops functioning and voltage is reduced to near zero. But under certain circumstances, the voltage may cause a slight tingle or burning sensation. For maximum performance probe tips should remain free of oils or other contaminants.

For these reasons, it is recommended the probe tips not be touched.

HELPFUL TECHNICAL SUPPORT DOCUMENTS ONLINE

Lion Precision's website has a large selection of technical documents (TechNotes and Application Notes) in the Technical Library. These documents provide detailed descriptions of the operation and use of Lion Precision high-performance sensors.

The Technical Library can be accessed at: <https://www.lionprecision.com/technical-library/>

Some of the titles include:

- Understanding Sensor Resolution Specifications and Effects on Performance
- Capacitive Sensor Theory of Operation
- Error Sources: Probe/Target Angle
- Capacitive Sensors in Vacuum
- Capacitive Sensor Phasing and Ungrounded Targets
- Capacitive Probe Cabling Considerations
- Elite Series Phase/Amplitude Frequency Response
- Z-Height Measurement with Capacitive and Eddy-Current Sensors
- Thickness Measurement with Capacitive Sensors
- Glue Sensing with Capacitive Sensors

EN591 - CPL591/592 SUB-NANOMETER CAPACITIVE DISPLACEMENT SENSOR

The CPL591/592 capacitive sensor is a precision, noncontact measurement device with digital features added. The output can be voltage or digital with changes in direct linear proportion to displacement between the probe and the target. The sensor is normally used to measure conductive targets, but it can also be used with nonconductive targets under the correct conditions.

For more information about measuring nonconductors, visit the Technical Library at <https://www.lionprecision.com/> or call for assistance.

BASIC OPERATION

The analog output voltage can be accessed from two locations. Single-ended output via the front panel BNC connector, or differential output via the rear panel DB9 connector. As the probe approaches the target, the output voltage will become more negative/smaller and the same applies to digital output.

The digital data is accessed via the USB, or through LVDS SPI via the display port. Digital data is presented by a 16-bit digital count from 0 to 65535 full scale where the calibrated range is from 3276 to 62259. *Appendix A & Appendix B* will provide more detailed information on the Demo Software and digital protocol command.

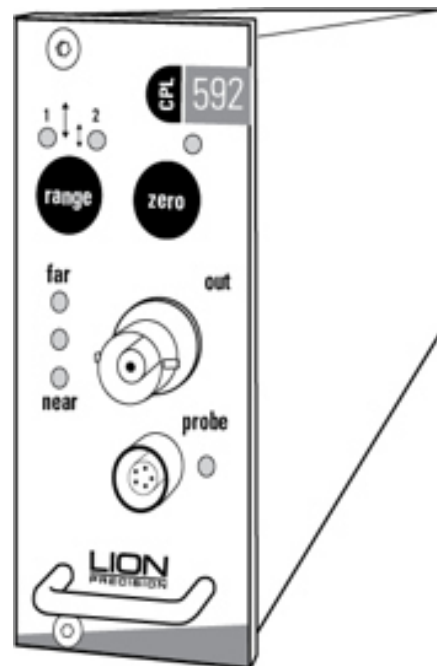
NOTE

“Near” and “Far” red light indicate that the probe is out of its calibrated range and the output is not guaranteed to be accurate even though the voltage or counts may continue to change.

Probes are calibrated to specific modules. Be sure the serial number on the probe matches the number on the calibration documents.

The CPL592 provides two calibration ranges for a single probe. Use the range button at the front panel or digital protocol to select the desired sensitivity. Calibration detail is provided on the calibration documents included.

Noncontact sensors normally measure changes from a reference position.



INTERPRETING THE OUTPUT

The amount of change of the output voltage or digital counts for a given change in the probe/target gap is called Sensitivity. The sensitivity of the sensor is listed on the calibration documents.

Change in gap calculation in Voltage:

$$\text{Gap Change} = \text{Voltage Change} / \text{Sensitivity}$$

For example: With a sensitivity of 1 V/2 μm and a voltage change of 3 V, the gap change would be 6 μm (3/0.5).

Change in gap calculation in Counts:

$$\text{Gap Change} = \text{Count Change} / \text{Sensitivity}$$

For example: With a sensitivity of 236 Counts/ μm and a count change of 1416, the gap change would be 6 μm (1416/236).

FRONT PANEL CONTROLS, INDICATORS AND CONNECTORS

Zero Adjust

Adjusts the analog output voltage after the probe is initially positioned. Pushing the zero button while close to range center causes the analog output voltage at present position to adjust to zero volts. Pushing the zero button again will disable the zero adjustment.

Range Button (CPL592 Only)

The CPL592 provides two calibration ranges for a single probe. Refer to the calibration documents for specific calibration information. Pushing the range button will alternate between ranges.

NOTE

Switching ranges will usually require repositioning the probe.

Calibrated Range Indicator

Green LEDs indicate that the probe is in its calibrated range and the output is an accurate representation of the target position. Red LEDs indicate that the probe is out of range and the output is not valid.

Analog Output - Single Ended

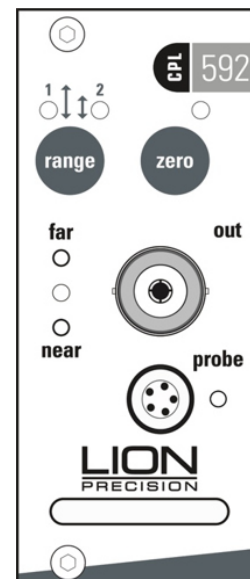
Provides connection to the analog output voltage, which is proportional to the distance between the probe and the surface of the material being measured. A typical output voltage range is ± 10 VDC. The specific ranges are listed on the accompanying calibration documents.

Probe Connector

Connect the probe by aligning the red dots on the connectors and inserting the probe connector.

CAUTION

To disconnect the probe, pull on the knurled barrel of the probe connector to release it. DO NOT PULL ON THE CABLE.



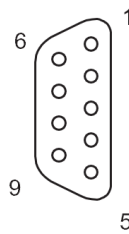
OVERVIEW OF REAR PANEL CONTROLS AND CONNECTORS

Remote Power Supply & Differential Output

The EN591 is powered by +15 VDC, -15 VDC & +5 VDC via DB9 connector. It also provides differential analog voltage output.

PINs	Connection
1	Ground
2	NC
3	-15 VDC
4	+15 VDC
5	+5 VDC
6	Vo-
7	Vo+
8	Ground
9	Ground

Table 1: DB9 Connector Pinout



Power Connector
Pin Numbers
On Rear Panel

Figure 1: DB9 Connector Pinout

Analog Output Differential

The non-inverted and inverted outputs are used together as a differential output. Differential output helps eliminate electrical noise induced into the connecting wires by noise source such as computers, power transformers, etc.

The non-inverted output voltage become more negative (relative to ground) as the probe nears the target. The inverted output voltage becomes more positive (relative to ground) as the probe nears the target. The non-inverted and inverted outputs are each ± 5 VDC relative to ground; the differential output is therefore ± 10 VDC.

The analog output connection pins are positioned to allow for twisted pair cable for maximum differential noise reduction.

CAUTION DO NOT connect the outputs to ground or the unit will be damaged.

USB

The EN591 provides a high/full speed USB 2.0 interface to gather digital data from the device to a PC. USB API documents, Demo Program, and examples can be downloaded from the product webpage. Appendix A provides a quick overview of the Quick Start Demo Program running on USB.

Further information for using the USB API:

CPL590 API Document ([Click here to view PDF](#))

Further information for Quick Start Demo Program:

CPL590 Demo Software Manual ([Click here to view PDF](#))

LVDS SPI

LVDS SPI is accessible through the display port. For closed loop applications or other real time applications, this low-level communication protocol can be connected to a microcontroller, microprocessor, FPGA, etc. It supports high speed sampling rate up to 10MHz (100 ns) and basic system controls such as sensitivity change, bandwidth change, and enable/disable excitation clock to the EN591. Appendix B provides electrical specifications, timing diagram, SPI commands, and a connection diagram for reference.

NOTE

Display port cables are not straight through.

Bandwidth Settings

The EN591 provides a four-position rotary switch for setting signal bandwidth. The following switch image and table below show the bandwidths available and their associated physical switch settings.

EN591	Position
15 kHz	4
10 kHz	3
1 kHz	2
100 Hz	1

Table 2: Bandwidth Settings Table

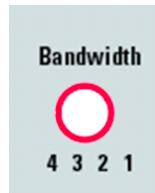


Figure 2: Rotary Switch Artwork

Ground

There is a ground screw attached to the rear enclosure for grounding the target. In most cases, separate grounding of the target is not necessary. If the target is not grounded through another path, and the output exhibits excessive electrical noise, grounding the target may reduce the output noise. When low-noise operation is critical, separate grounding is recommended even if the target is well grounded through another path.

EN591 - CPL591/592 SPECIFICATIONS¹

Linearity Error	0.1% F. S
Error Band	0.2% F. S
Standard Bandwidth (-3 db)	Selectable: 100 Hz, 1 kHz, 10 kHz, 15 kHz Bandwidths are -10%+30%
Zero Adjustment Range	Within 50% of calibrated range
Meets ANSI/ASME B5.54 Standard	Yes
Probe Interchangeability	Typical sensitivity variation for same probe model: 10%
Operating Temperature	4 -50°C
Thermal Stability	0.04 % F.S. / °C
Typical Oscillator Frequency	Probe cable < 12 feet: 1 MHz Probe cable > 12 feet: 500 kHz
Output Impedance	0 Ω
Output Max Voltage	± 11 VDC
Output Max Current	10 mA

Table 3: General Specification

¹These specifications are typical for standard components and calibrations. Customizations can affect performance. Check the calibration sheet shipped with the product for specific details on your system. In high EMI environments (10 V/m), output noise may rise to 0.2 VRMS (1% resolution) and DC output may shift.

EN591 Enclosure Drawings

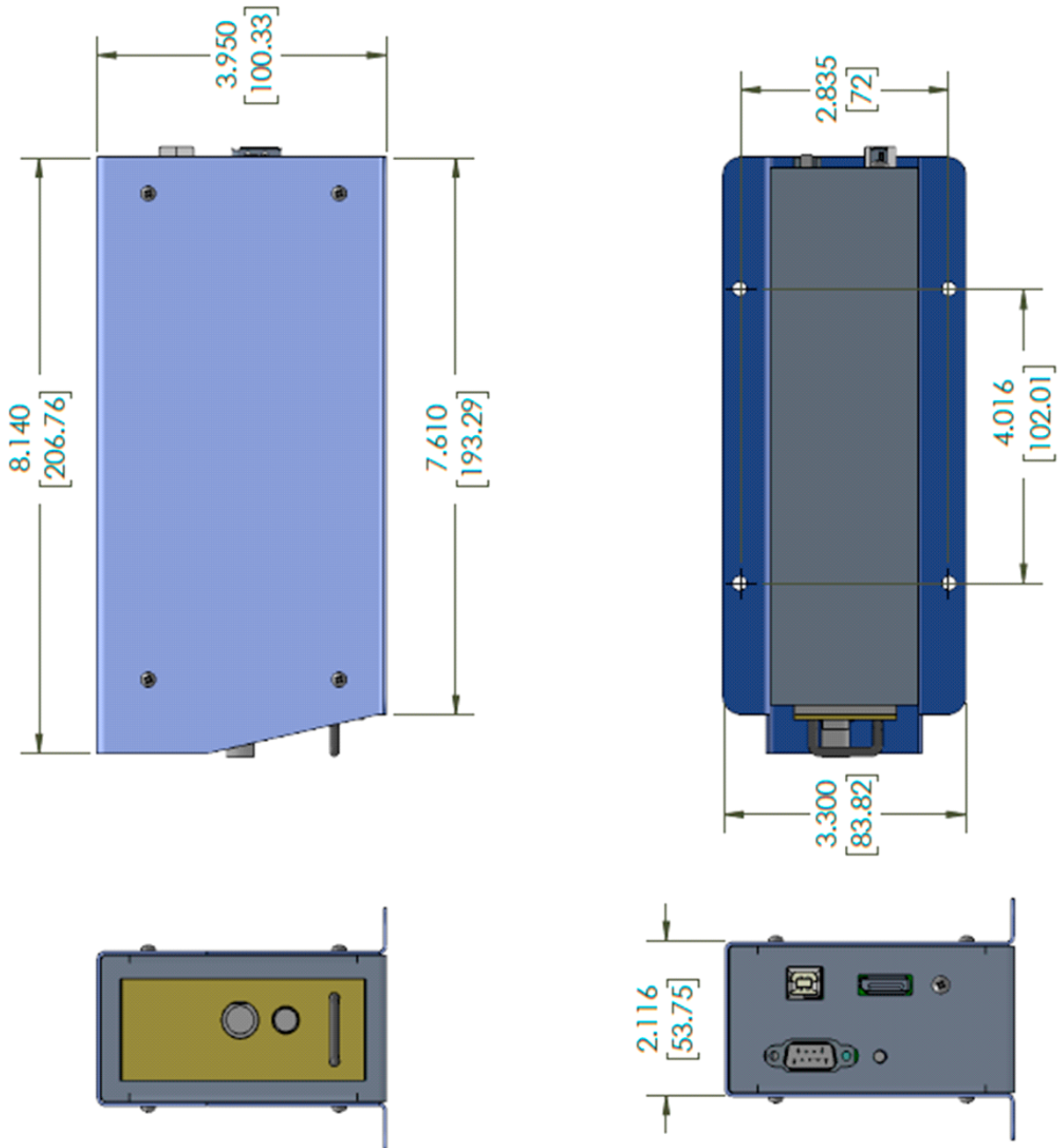


Figure 3: EN591 Dimension

POWER SPECIFICATIONS

Model	Power Input	Notes
EN591	± 15 VDC ± 1 V, 400mA Maximum $+5$ VDC ± 0.5 V, 400mA Maximum	To maintain maximum resolution, use a linear power supply or a power supply with switching frequency greater than 100 kHz such as Lion Precision Power Supply P017-9300. To maintain CE compliance, use the included power supply or equivalent CE compliant model.

EXTERNAL POWER SUPPLY

The EN591 systems include an external power supply. The supply has a connector which allows direct connection to the enclosure.

This supply features a high-frequency (100kHz) switching supply. The high switching frequency allows the sensing modules to operate at maximum resolution.

DC Output Voltage	$+5$ V; 5A -15 V; 0.8A $+15$ V; 2A
AC Input Voltage	100-240 VAC, 50/60 Hz, 1.35A

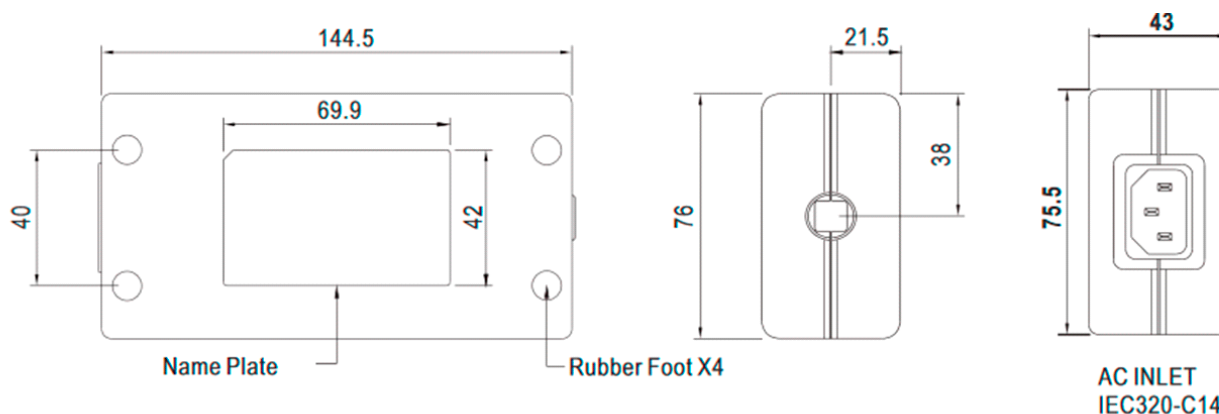


Figure 4: External Power Supply Dimension

APPENDIX A

Demo Software Installation

Minimum Requirements

- Window 7 & or higher (64 bit)
- 4 GB memory
- 2 GB free disk space
- USB port (2.0 or higher)

Installation Procedure

The software can be downloaded on the product webpage:

<https://cpl590viewer.blob.core.windows.net/cpl590demo/CPL590ViewerInstall.exe>

<https://cpl590viewer.blob.core.windows.net/cpl590api/CPL590DLLInstall.exe>

<https://cpl590viewer.blob.core.windows.net/cpl590api/Setup.exe>

To use the CPL590 Demo Viewer:

1. Download and run CPL590ViewerInstall.exe

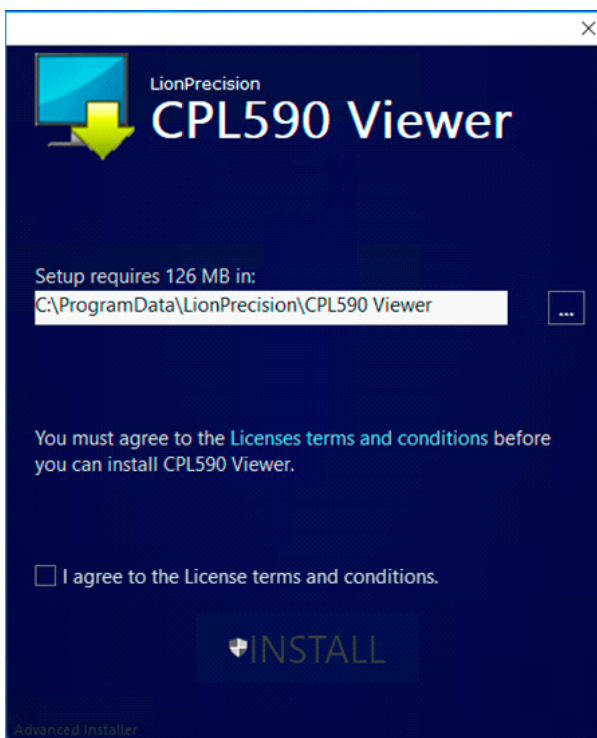


Figure 5: CPL590 Viewer Installer Startup

2. Read and agree to the T&C then click *Install*.
3. Follow the directions of the installation programs.
4. When the installation is complete, restart the computer.
5. After restarting, run the program on the desktop or by selecting *Start > All Programs > CPL590 Demo Viewer > CPL590 Demo Viewer.exe*

The CPL590 Demo Viewer program is installed in the \Program Files (x86)\LionPrecision\CPL590 Viewer\ directory on your hard disk. If you install the CPL590 Demo Viewer software a second time using the same subdirectory, the previous installation will automatically be uninstalled first.

Demo Software Basic

Scan & Connect Device

When the CPL590 Demo Viewer is launched (Start > CPL590 Demo Viewer) it will display a Splash Screen and query the operator to begin to scan for EN591 devices on the USB Bus:



Figure 6: CPL590 Demo Viewer Startup Splash Screen

If the operator selects the 'Exit' button, the program will close.

If the operator selects the 'Scan' button, the program will find all EN591 devices on the USB bus and display the device (cabinet) assignment number, the name, and serial numbers of each device/driver found. If it does not find EN591 device, the operator will be given the option to 'Retry' the connection.

CPL590's Found:			
Run	CabinetNumber	Name	SerialNumber
<input type="checkbox"/>	1	CPL592	19004874
<input type="checkbox"/>	2	CPL592	19004873

OK Retry

Figure 7: Two EN591 Detected

If the Device/Driver is to be run, the operator must enable the 'Run' flag by checking the box:

CPL590's Found:			
Run	CabinetNumber	Name	SerialNumber
<input checked="" type="checkbox"/>	1	CPL592	19004874
<input checked="" type="checkbox"/>	2	CPL592	19004873

OK Retry

Figure 8: Select the EN591 to Run

If the operator selects the 'OK' flag, the Home Screen will be displayed:



Figure 9: Main Screen of the software

The program will automatically open a connection to the EN591 device after the Scan Dialog is closed.

The Home screen will show the Oscilloscope display and the Serial number(s) of the Device/Driver(s) that were enabled to be 'Run' in the Scan screen.

The top menu shows the possible commands (Start, Pause, Stop, Save File, About, Help).

The bottom toolbar indicates the state of communicating with the Devices (Not Connected, Connected, Data Running, Data Paused, Data Stopped). The bottom toolbar also shows the statistics (Min value, Max value, Peak-to-Peak value, and Average value) of the data buffer received from the first Device.

The 'Options', 'TEDs Data', and 'Zero/Gain Adjust' menu items, on the left toolbar, will be disabled until the Device(s) has been successfully connected.

Start Data

The data transfer (receiving), from all Devices selected, will not happen until the operator selects the '**Start**' button. The data will be received and displayed on the Scope View Screen (if the Plot Enable is checked). Once data transfer begins, the '**Pause**', '**Stop**' and '**Save File**' button will be enabled.

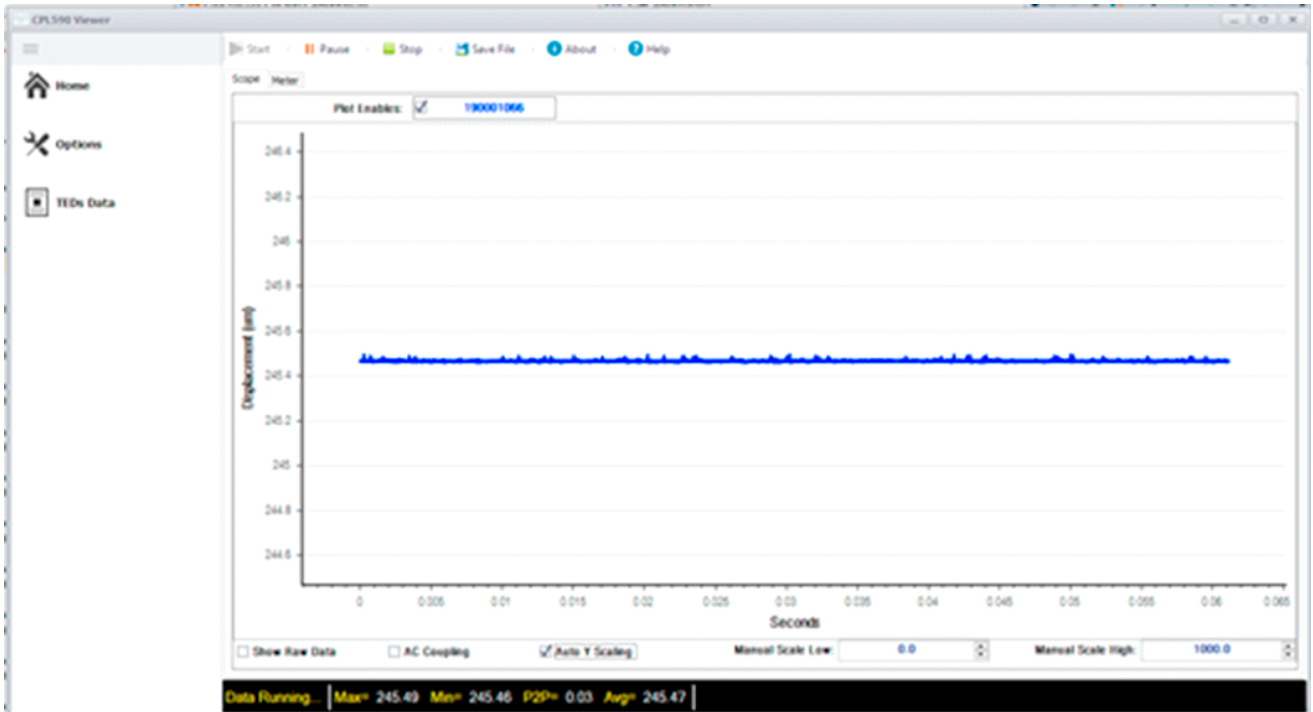


Figure 10: Data is running and plot

Pause Data

When the operator selects the '**Pause**' button, the data shown on the Oscilloscope display will stop updating but the data will continue to be received from the Device.

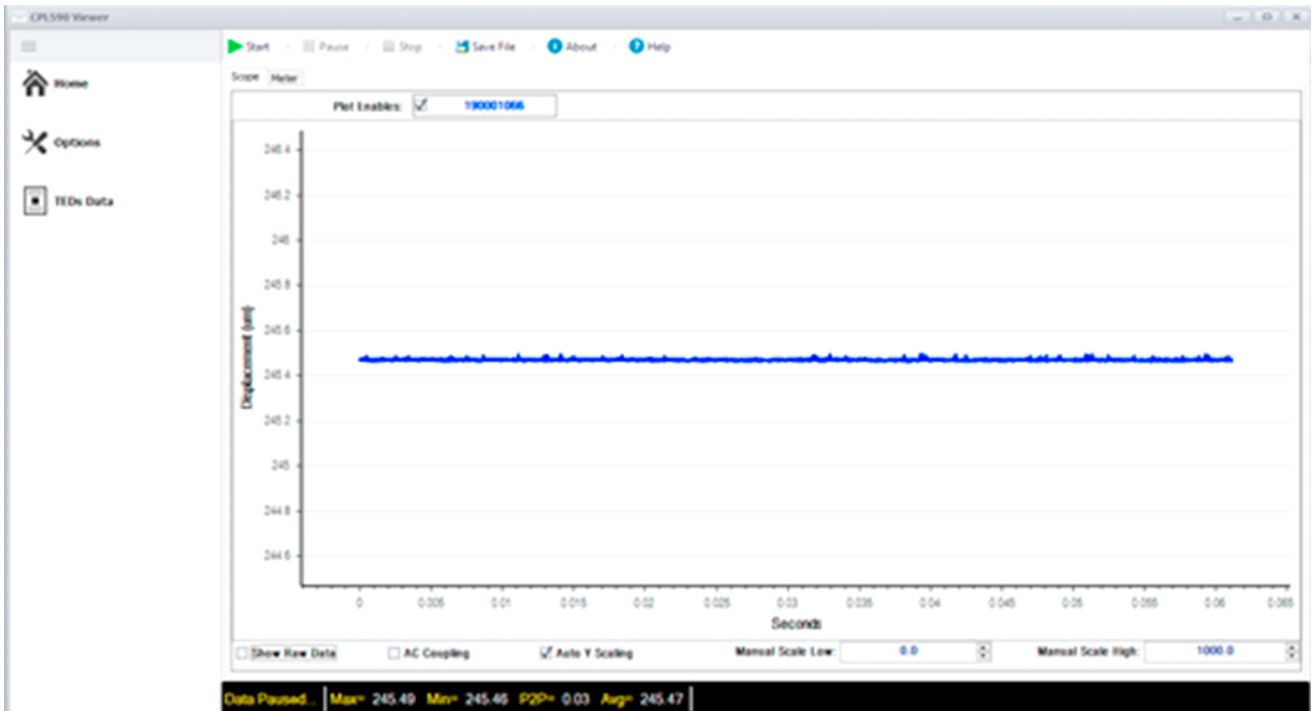


Figure 11: Pause Data

Stop Data

When the operator selects the '**Stop**' button, the data transfer operation will be halted, and the data shown on the Oscilloscope display will stop updating.

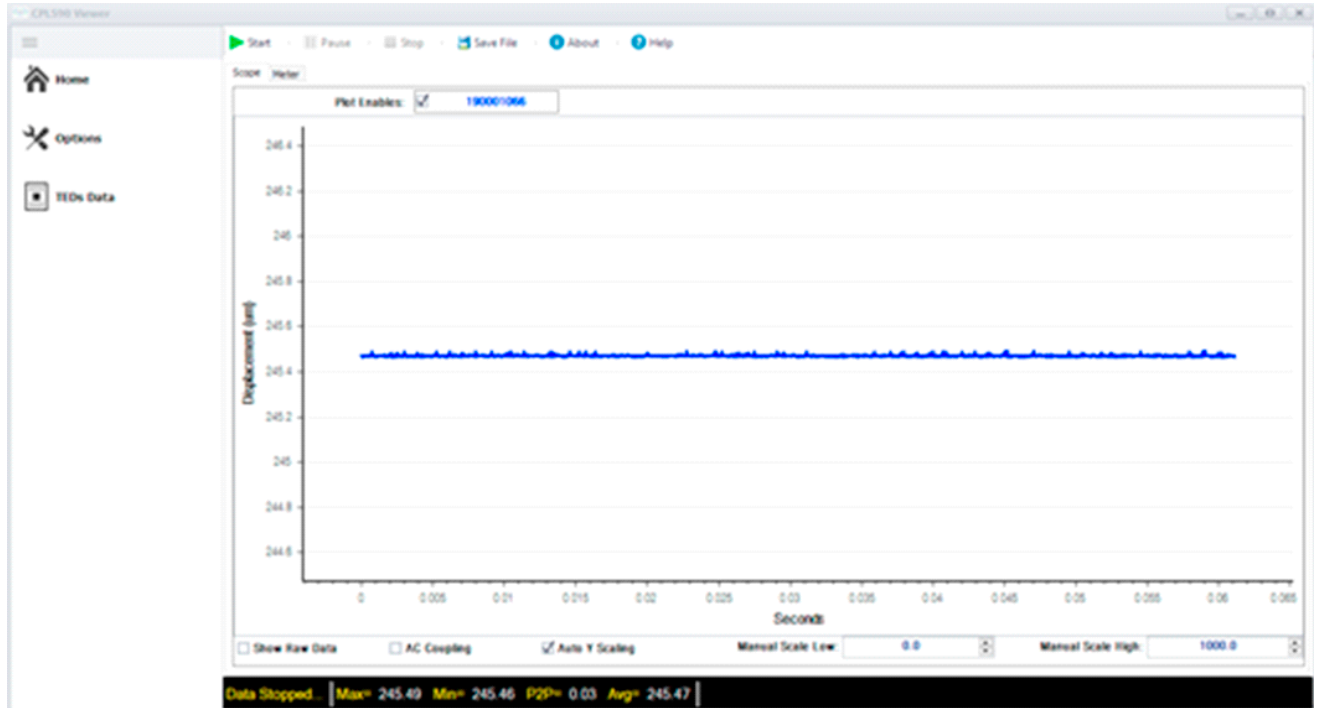


Figure 12: Stop Data

Save File

When the operator selects the '**Save File**' button, the program will stop the data transfer operation and then display an Open file Dialog for the operator to choose the file name and directory to save a block of data to a file. The format of the file data is CSV (fields separated by a comma).

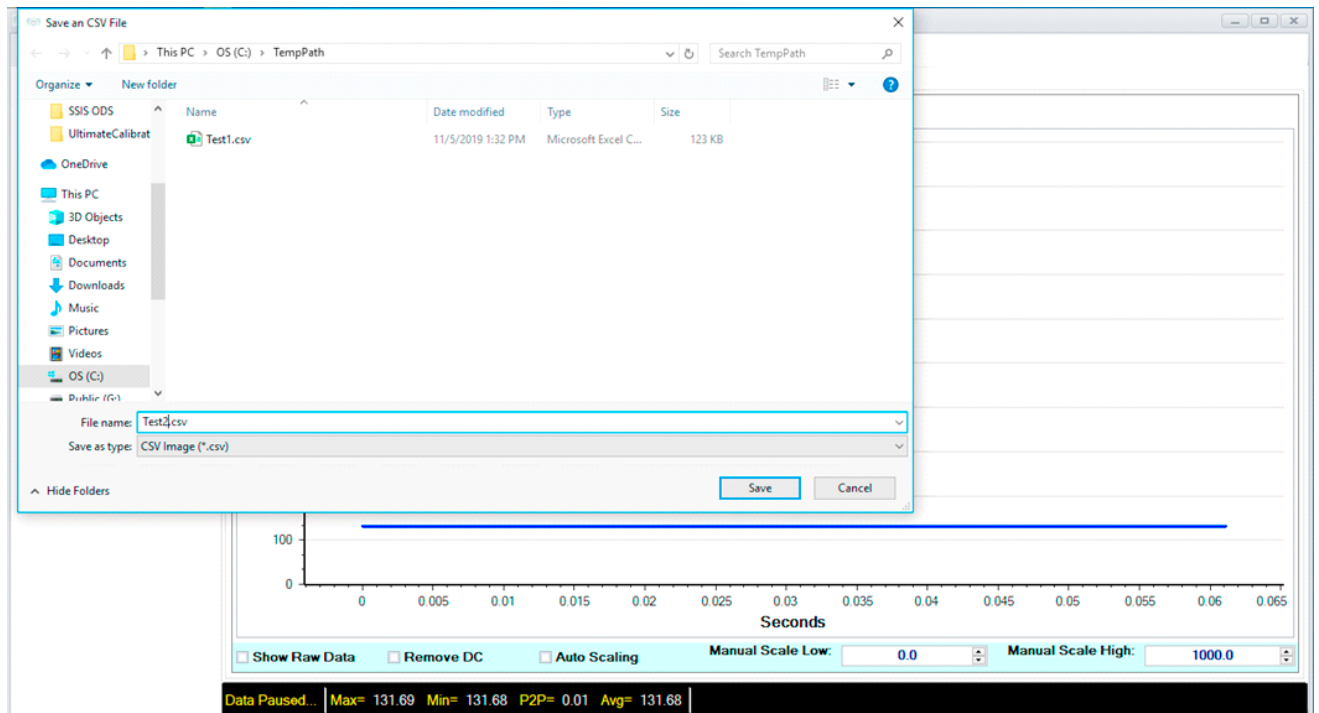


Figure 13: Save Data

The data saved will be the data points from the Oscilloscope display. There will be a column for the Time stamp (in seconds), the Displacement (in micrometers), the Sample index, and the Raw Data count value. The header for the Displacement and Raw data is the serial number of the Device.

	A	B	C	D	E
1	Time	190001066		Sample	190001066
2	0	131.6396		0	34334
3	0.00001	131.6396		1	34334
4	0.00003	131.6396		2	34334
5	0.00004	131.6396		3	34334
6	0.00006	131.6396		4	34334
7	0.00007	131.6396		5	34334
8	0.00009	131.6439		6	34335
9	0.0001	131.6354		7	34333
10	0.00012	131.6396		8	34334
11	0.00013	131.6354		9	34333
12	0.00015	131.6396		10	34334
13	0.00016	131.6396		11	34334
14	0.00018	131.6396		12	34334
15	0.00019	131.6396		13	34334
16	0.00021	131.6396		14	34334
17	0.00022	131.6396		15	34334
18	0.00024	131.6396		16	34334
19	0.00025	131.6396		17	34334
20	0.00027	131.6396		18	34334

Figure 14: CSV File Output Format

Options

When the operator selects the 'Options' menu item, the program will halt the data transfer and display the Options' dialog:

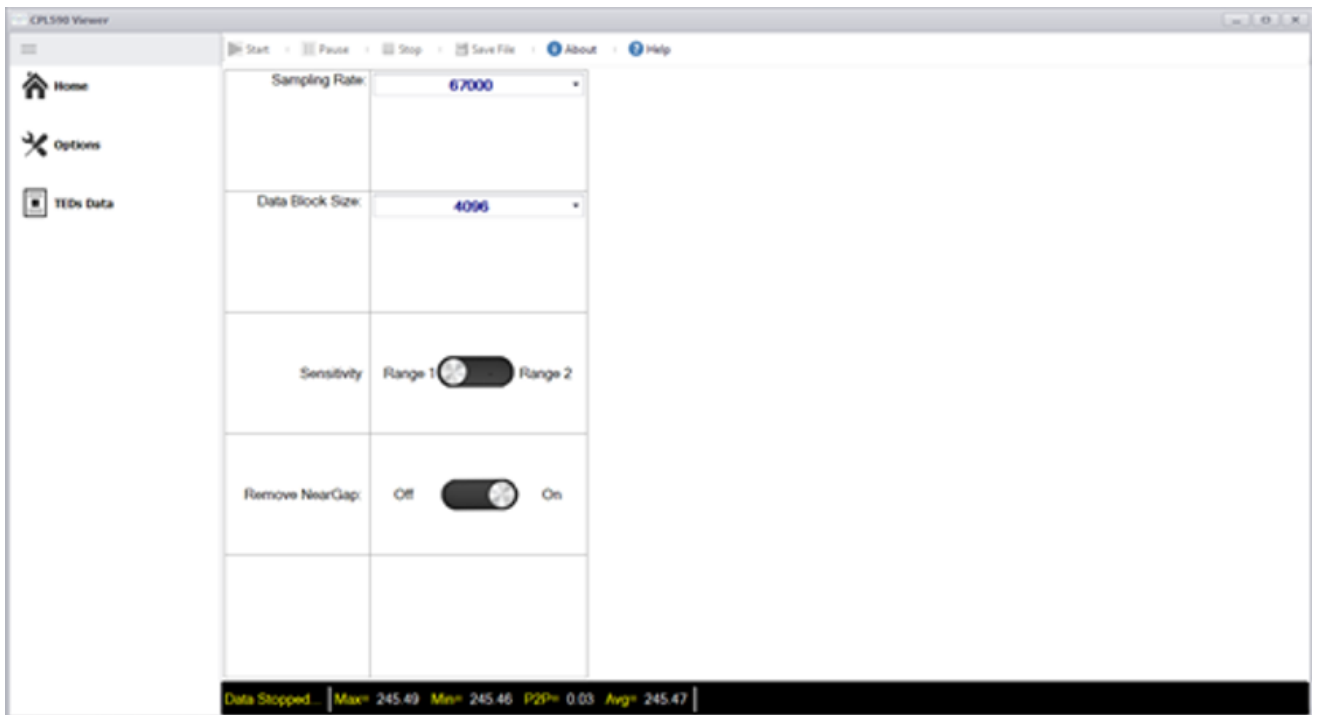


Figure 15: Options Screen

These options will not be activated until the operator selects the 'Home' menu item. Once this happens, the data transfer will resume with the new options.

Sampling Rate

Choose from a drop-down list of possible rates at which the EN591 Driver will sample the data from the probe each second. The possible choices are 500, 1000, 10000, 15000, and 67000.

Data Block Size

Choose from a drop-down list of possible data transfer block sizes (in 16-bit words). The possible choices are 4096, 8192, 16384, 32768, and 65536.

Sensitivity

This allows the operator to select which Sensitivity (Probe Range) that the Driver will use when taking measurements. The two ranges are programmed into the Driver at Calibration stage.

Remove Near Gap

This setting will determine if the program will subtract the Near Gap value from each calculated displacement value from the data buffer.

TEDs Data

When the operator selects the '**Teds Data**' menu item, the program will retrieve the Configuration (TEDs) information from the Driver and display it in the '**Teds Data**' dialog:



Figure 16: TEDs Screen

Main Data Display Screens

Scope

When the operator clicks the 'Scope' Tab near the top of the Main screen, the Oscilloscope View is displayed. This view will show the Plot Enables checkbox for each EN591 driver enabled to Run (in the Scan dialog). Each EN591 driver graph plot will have its own color.

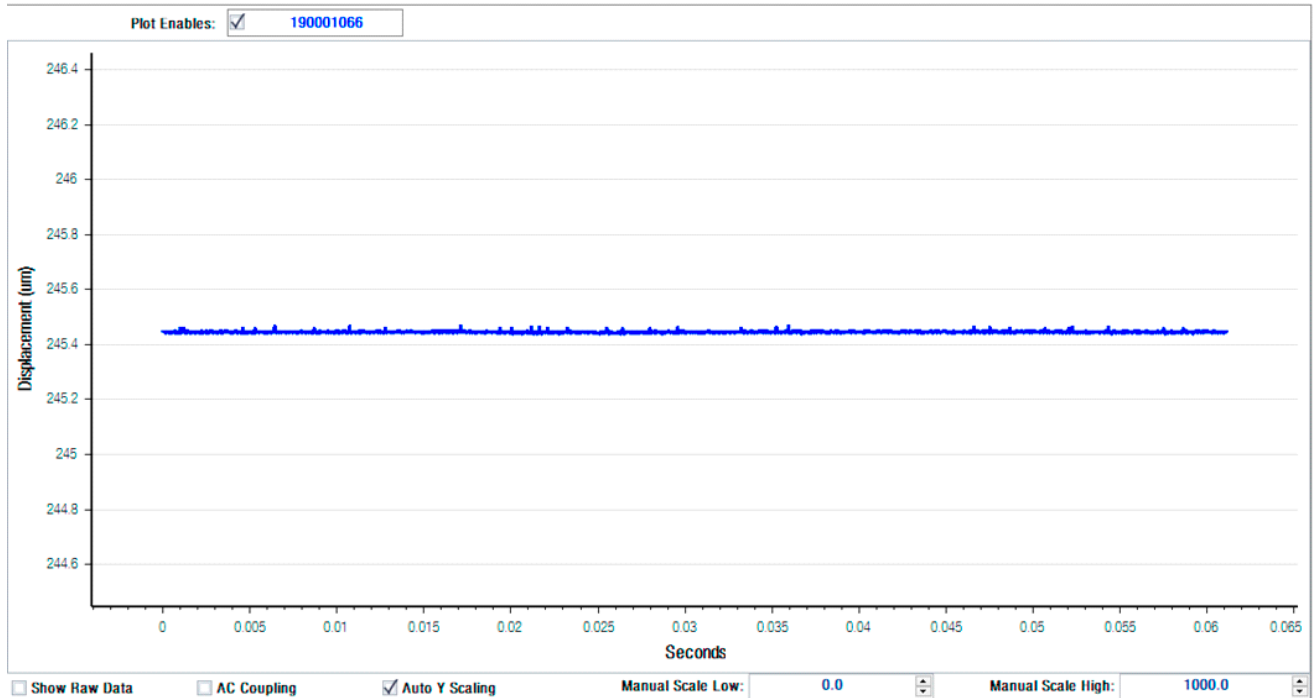


Figure 17: Scope Screen

This view also has options to Display Raw Data, enable AC Coupling, perform Auto Scale of the Displacement (Y) Axis, and to set the Displacement Axis scale range (if Auto Scale is unchecked).

Meter

When the operator clicks the 'Meter' Tab near the top of the Main screen, the Probe position Gauge is displayed. This view will show the Plot Enables checkbox for each EN591 driver enabled to Run (in the Scan dialog). Each EN591 driver gauge needle will have its own color.



Figure 18: Meter Screen

This view also has options to Perform Auto Scale and to set the Manual Axis scale range (if Auto Scale is unchecked).

APPENDIX B

SPI - General

The Serial Peripheral Interface (SPI) is a synchronous serial communication interface that is typically used in embedded systems. The EN591 device is designed to be a slave architecture support standard CPOLO and CPHA0. The master device (Host) generates the frames for reading/writing and timing. This protocol can be the standard four-wire SPI serial bus by pulling the ASSERT line low all the time and ignoring the BCLK.

LVDS (low-voltage differential signaling), also known as TIA/EIA-644 is a technical standard that specifies electrical characteristics of a differential serial communication protocol for high-speed digital interface that is low power consumption and high noise immunity for high data rates.

Electric Digital IO Characteristic

Each signal is transmitted by a differential data line pair. The electrical level is LVDS. On Receiver side each line must be terminated with 100 Ohms.

Symbol	Min	Typical	Max
VCCIO (V)	2.375	2.5	2.625
VID ² (mV)	100	-	-
VICM ³ (V)	0.05	-	1.8
VOD ⁴ (mV)	247	-	600
VOS ⁵ (V)	1.125	1.25	1.375

Table 4: Electrical IO Characteristic

ESD Rating:

- IEC 61000-4-2 (ESD) 15kV (air) 8kV (contact)
- IEC 61000-4-4 (EFT) 40 A (5/50 ns)
- IEC 61000-4-5 (lighting) 2 A (8/20 µs)

²Input differential Voltage Swing: The difference in voltage between the positive and complementary conductors of a differential transmission at the receiver.

³Input common mode voltage: The common mode of the differential signal at the receiver.

⁴Output differential voltage swing: The difference in voltage between the positive and complementary conductors of a differential transmission line at the transmitter. $VOD = VOH - VOL$

⁵Output offset voltage: $VOS = (VOH + VOL) / 2$

SPI Connector Pinout⁶

Name	Pin	Description	Host	EN591
CLK	12, 10	Serial data clock from host	Output	Input
CS	15, 17	Data chip select	Output	Input
MISO	6, 4	Master in slave out line	Input	Output
MOSI	9, 7	Master out slave in line	Output	Input
ASSERT	18, 19	Active low assert line	Output	Input
BCLK	3, 1	Buffer serial data clock ⁷	Input	Output

Table 5: EN591 Display Port Pinout

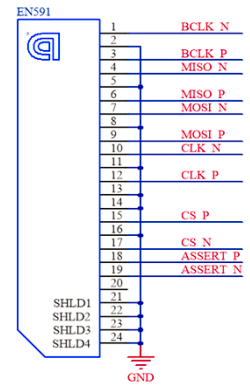


Figure 19: Display Port Diagram

SPI Interface Protocol

The following diagram shows the transfer of one single 16-bit data word. All data words of a packet are transferred serially with the highest bit first. The data bits of the MISO and MOSI line shift in/out at the rising edge of CLK. The CLK line is active only while data bits are transferred.

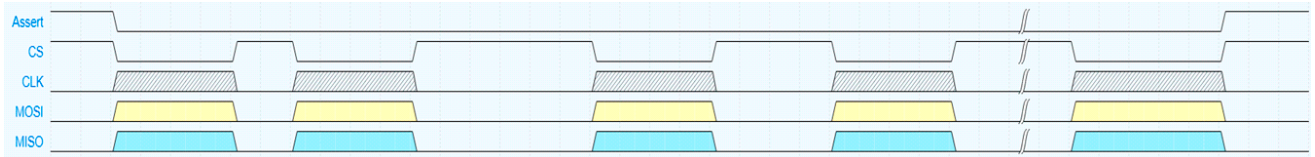


Figure 20: General Protocol Frame Diagram

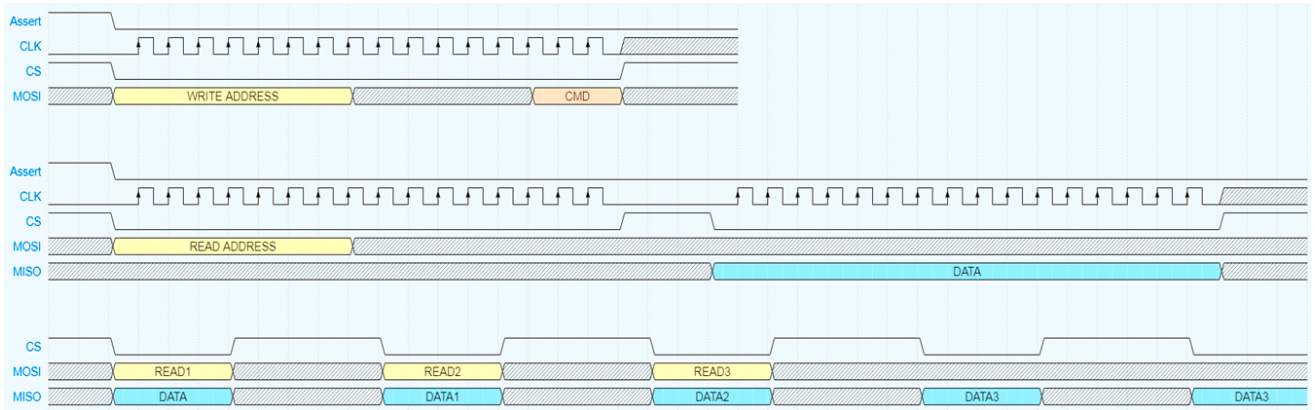


Figure 21: Detail Protocol Frame Diagram

⁸Pinouts are differential pair and consist of inverted and non-inverted. Column PIN is organized as non-inverted pin followed by inverted line.

⁷Buffer serial clock are recommended, if 6 meters or longer cable is used. EN591 will buffer the incoming clock from host and output from the slave back to host. Thus, host can clock in MISO with this pin to eliminate timing error caused by long cable propagation delay.

Timing Diagrams

Symbol	Description	Min [ns]
TSHI	CLK high time	50
TSLO	CLK low time	50
TSPD	CLK period time	100
TISU	Input setup time: MOSI-bit valid before falling edge of CLK	40
TIHD	Input hold time: MOSI-bit valid after falling edge of CLK	40
TFLS	Falling edge of Assert before first rising edge of CLK	160
TSRL	Last falling edge of CLK before rising edge of Assert	160
TLDH	Assert high: Time between two commands	5100
TFCS	Falling edge of CS before rising edge of CLK	80
TSRC	Falling edge of CLK before rising edge of CS	80
TCSH	CS high: Time between two 16-bit data words	2000

Table 6: Timing Characteristics

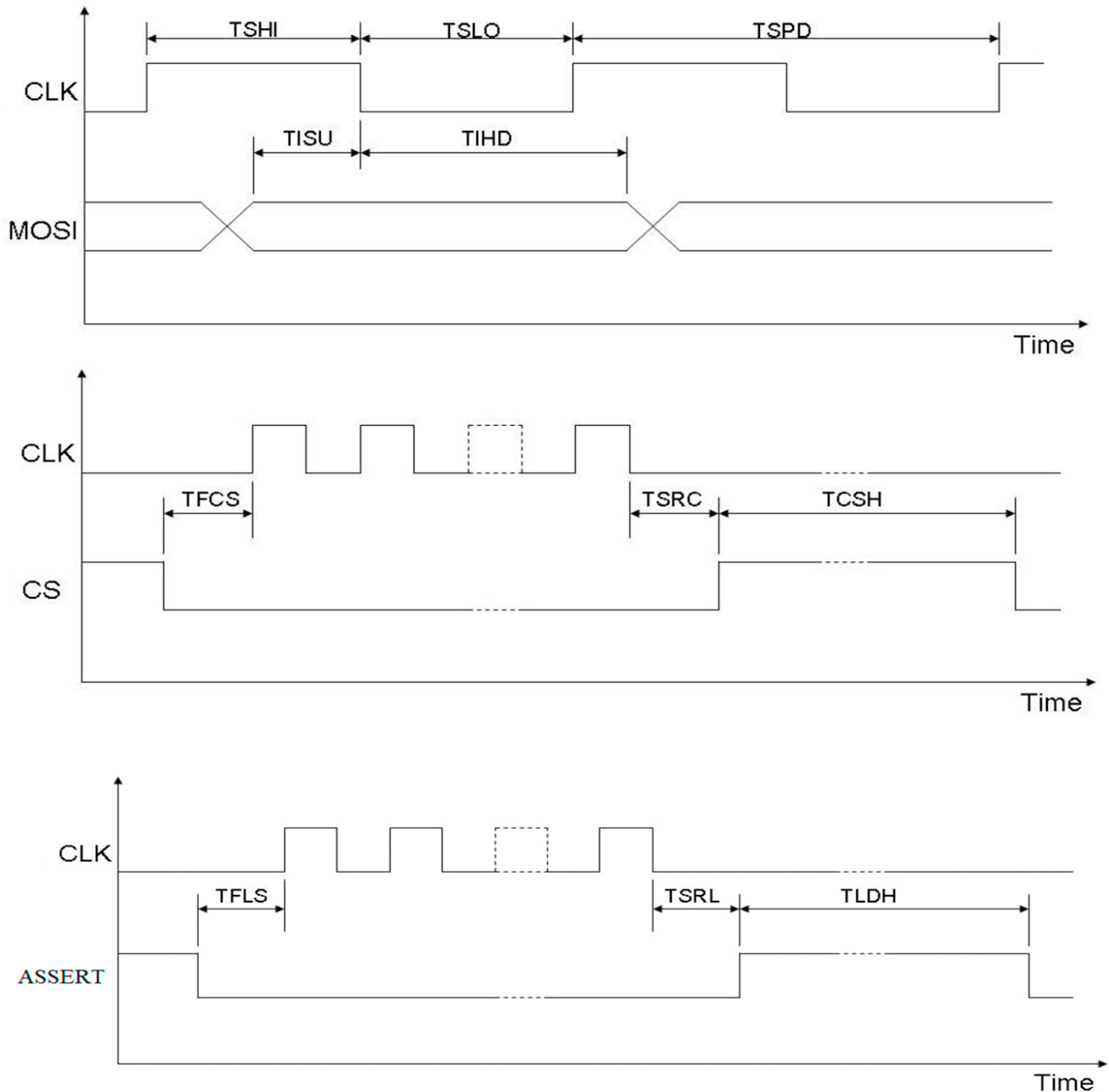


Figure 22: Timing Diagram

Write Command ^{8 9}

Write command is the action that can change/set state to EN591. After a new set of write commands has been sent, it will be latched in on the raising edge of the CS when assert line stays low.

Address (MSB bit 15 to 8)	Command (LSB bit 1 to 0)	Description
X"81"	"00", "01"	"00" set device sensitivity to 1 "01" set device sensitivity to 2
X"82"	"00", "01", "10", "11"	"00" set bandwidth filter to 100 Hz "01" set bandwidth filter to 1 kHz "10" set bandwidth filter to 10 kHz "11" set bandwidth filter to 15 kHz
X"83"	"00", "01"	"00" turn OFF excitation clock on the driver "01" turn ON excitation clock on the driver
X"84"	"00", "01"	"00" turn OFF the main clock feed to the driver "01" turn ON the main clock feed to the driver

Table 7: Write Command Register Map

Read Command

Read command is to set the output data send from the device to the host. User will need to send a valid read command and the device will retain the command until another read command is requested. If no command is sent, the device is defaulted to output position data. Read command will be latched on the raising edge of the CS and the user can start reading the output on next CS.

Address (MSB bit 15 to 8)	Description
X"71"	Read current sensitivity state: "00" Range 1 "01" Range 2
X"72"	Read current bandwidth filter state: "00" bandwidth filter at 100Hz "01" bandwidth filter at 1kHz "10" bandwidth filter at 10kHz "11" bandwidth filter at 15kHz
X"73"	Read excitation clock state: "00" excitation clock OFF "01" excitation clock ON
X"74"	Read Main Clock State: "00" main clock feed to the driver OFF "01" main clock feed to the driver ON
X"75"	Read digital position data: Digital output is 16bits and calibrated from 3276 to 62259

Table 8: Read Command Register Map

⁸Setting from write command will NOT be retained. EN591 will set back to default once the system has been re-powered.

⁹If physical button/switch has been changed on the front/rear panel, the changes will become active and over-write the digital setting. Digital write commands act like a secondary command setup.

Display Port Cable Reference Wiring

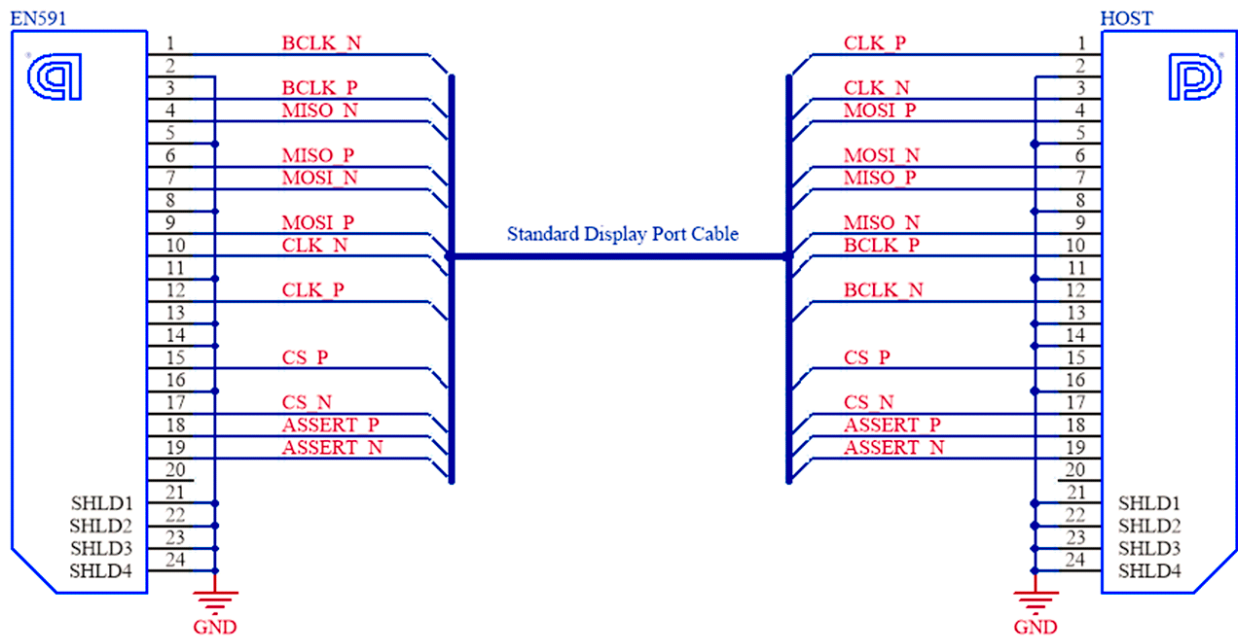


Figure 23: Standard Display Port Cable Wiring Diagram

Be confident when you do
business with Lion Precision